

Usmerjamo tokove

We control the stream

Wir lenken die Ströme

UFHGOST

Underground fire hydrant
Type 2009 GOST DI CAP
DN 100 PN 10


ARMATURE d.o.o.

Product characteristics and benefits

- Fire hydrant in accordance with GOST R 53961-2010, EN 1074-6 EN 14339 and Construction Products Regulation (CPR) 305/2011/EU
- With flange end acc. to GOST R 53961-2010
- Simple construction and low weight
- Low operating torque
- Simple maintenance and handling

Materials

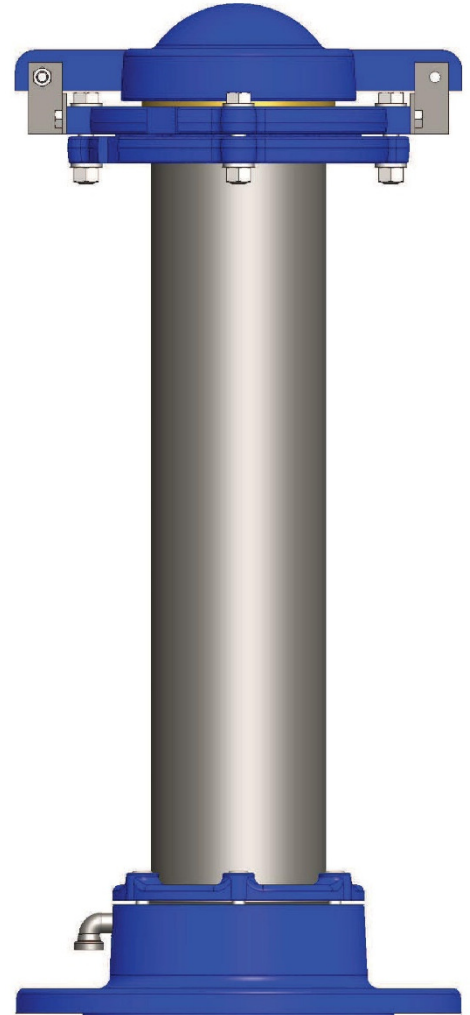
- Valve: Ductile cast iron EN-GJS-400-15 (GGG-40)
- Outlet: Gunmetal – brass CW 614 N acc. to with GOST 7499-71
- Piston: Ductile cast iron EN-JS 1030 (GGG-40) all around EPDM vulcanized
- Seat: Stainless steel 1.4059
- Bonnet bolts: Stainless steel A2 EN ISO 3506
- Spindle: Stainless steel 1.4028
- Spindle nut: Bronze LG2
- Body pipe: Stainless steel 1.4301 / Reinforced version: SS 1.4401 (AISI 316)

Corrosion protection

- Inside and outside Epoxy coating min. 250 µm, according to DIN 30677-2
- According to GSK quality specifications

Tests and approvals

- Testing and registration by ZAG guarantees superior product quality and external monitoring which also takes hygienic aspects into consideration
- Type test acc. to GOST R 53961-2010
- Final inspection test acc. to EN 12266
- EPDM rubber acc. to EN 681-1 and approved acc. to KTW, W270, WRAS
- Epoxy coating approved acc. to KTW, W270, WRAS



Order code

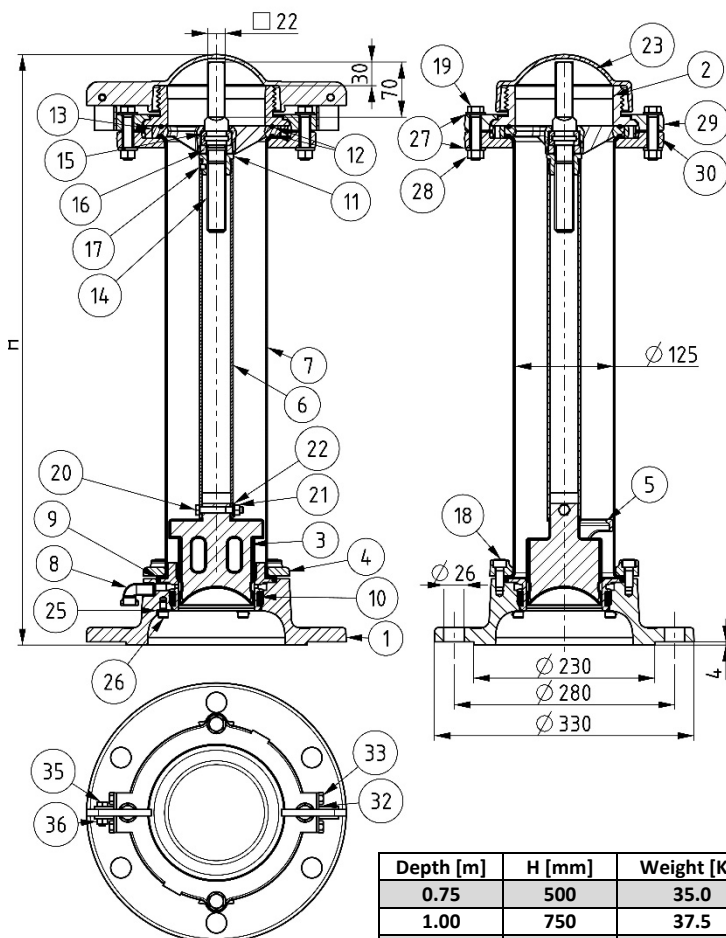
UFHGOST1 GOST FLANGE **DN 100, PN 10, H** Height



Sample: Underground fire hydrant DN 100 PN 16, height 1000

UFHGOST1 GOST FLANGE **DN 100, PN 10, H 1000**

Technical drawing



Item	Name	Material
1	Valve	Ductile iron EN-GJS-400-15
2	Outlet	Brass CW 614 N
3	Piston	Ductile iron EN-GJS-400-15 fully encapsulated EPDM
4	Flange	Ductile iron EN-GJS-400-15
5	Sealing ring	Stainless steel 1.4059
6	Inner pipe	Stainless steel 1.4301
7	Body pipe	Stainless steel 1.4301 / 1.4408 (reinforced version)
8	Fitting	Stainless steel 1.4401
9	Pipe gasket	EPDM
10	Gasket	EPDM
11	Spindle nut	Bronze LG2
12	O ring	EPDM
13	Spindle star	Ductile iron EN-GJS-400-15
14	Spindle	Stainless steel 1.4028
15	Limiter	CW 614 N
16	Brass nut	CW 614 N
17	Pin	Stainless steel A2
18	Screw	Stainless steel A2
19	Screw	Stainless steel A2
20	Screw	Stainless steel A2
21	Nut	Stainless steel A2
22	Washer	Stainless steel A2
23	Cap	Ductile iron EN-GJS-400-15
25	Washer	PA6
26	Screw	Stainless steel A2
27	Washer	Stainless steel A2
28	Nut	Stainless steel A2
29	Flange	Ductile iron EN-GJS-400-15
30	Flange	Ductile iron EN-GJS-400-15
32	Cap hinge	Stainless steel 1.4301
33	Screw	Stainless steel A2
35	Screw	Stainless steel A2
36	Nut	Stainless steel A2

Field of application

DN	PN	Maximum operating pressure [bar]	Maximum operating temperature for neutral liquids [°C]
100	10	10	60

Pressure test acc. to EN 12266

Test pressure shell with air - Rate A [bar]	Test pressure seat with air - Rate A [bar]
15	11