

CONNECTION ELBOWS

CHARACTERISTICS

- For easier installation

STANDARDS AND APPROVALS

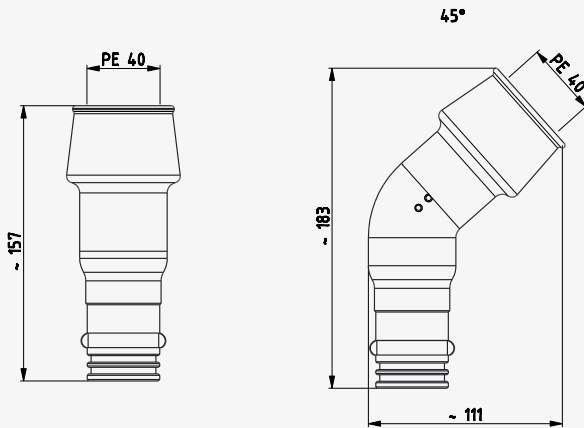
- Ductile iron acc. to EN 1563
- Final strength and tightness test acc. to EN 12266-1
- Corrosion protection acc. to DIN 30677-2 and EN 14901
- Sealing elements for drinking water acc. to EN 681
- Microbiological suitability acc. to EN 16421 (W270)
- DVGW, UBA, W270, ACS WRAS, Belgaqua for EPDM sealing elements and Epoxy coating
- GSK – RAL-GZ 662/2 for corrosion protection

OTHER BAYONET PIECES

PN 16
(for Art. 611/610)



TECHNICAL DRAWINGS AND PICTURES



DATA

D [mm]	25	32	40
D (45°) [mm]		40	
Min. bore diameter of the main pipe	20	25	30
Max. bore diameter of the main pipe		33	

MATERIALS

Body	EN GJS-400-15
Gaskets	EPDM
Epoxy powder coating	RAL 5005, min. 250 µm
Grip ring	POM