

TELESCOPIC SPINDLE EXTENSION

CHARACTERISTICS

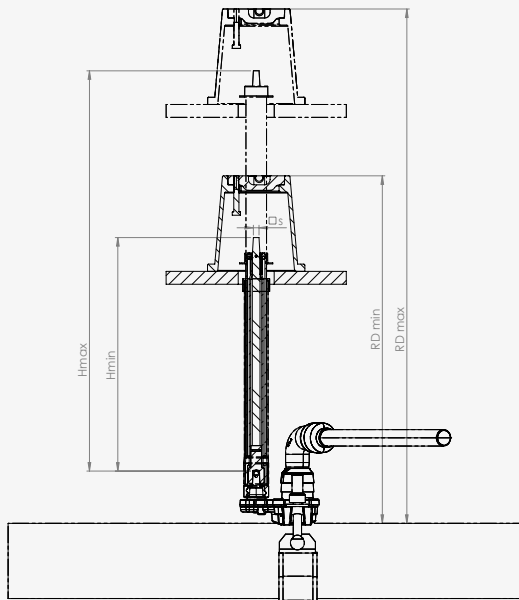
- Strong construction ensures long service life
- Outside PE pipe provide a strong protection against mechanical impacts
- Bottom cover protects valve spindle from external influences such as sand and dirt
- Spindle extensions are available in 4 different lengths, other lengths are available on request
- Conoid outlet manageable with T-key acc. to DIN 3223

ART. 605

DN 50–600
(za Art. 610/611)



TECHNICAL DRAWING AND PICTURES



DATA

RD [mm]	600–900	800–1300	1200–2000	2000–2800
H [mm]	500	700	1100	1900
H2 [mm]	800	1200	1900	2700
Conoid outlet s [mm]	11,5			
Weight [kg]	2	2,9	4,2	5,7

MATERIALS

Inside pipe and bar	Steel galvanized
Outside pipe	PE
Bottom valve cover	EN GJS-400-15 coated in RAL 5005